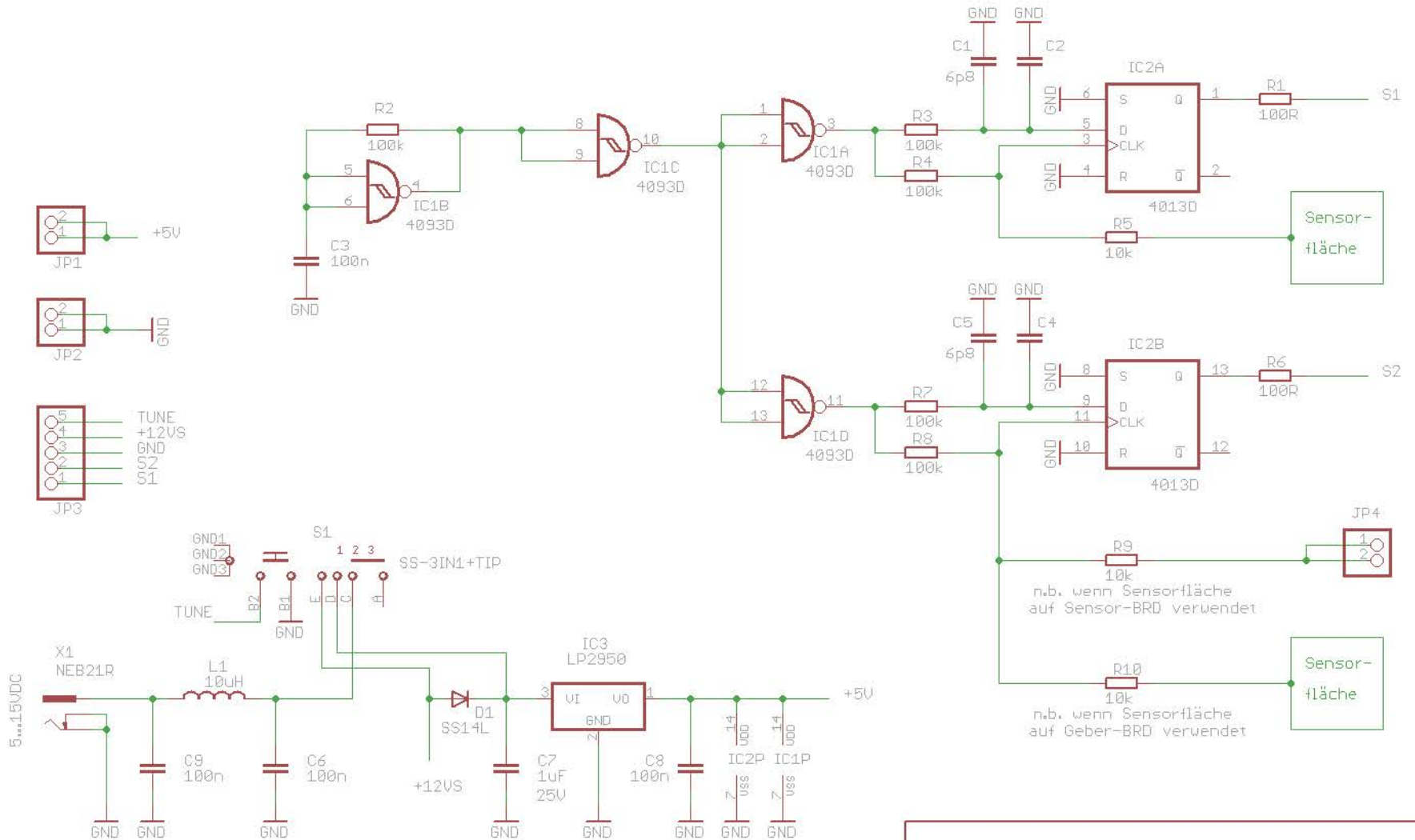


Geberboard



TITLE: Sensortaste-Sensor-21

Document Number:

REV:

Date: 10.03.2020 08:58:49

Sheet: 1/1